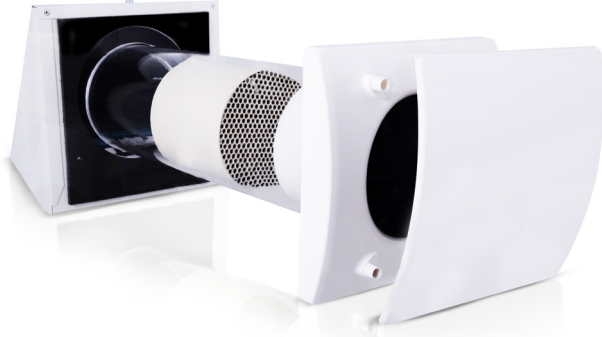


Single-room decentralised heat recovery unit

HRU-WALL



Description

HRU-WALL is a single-room decentralized heat recovery unit for concealed installation. The unit comes with a ceramic heat exchanger which boasts a maximum heat recovery ratio of 90% (the nominal heat recovery ratio is $\eta=74.3\%$ as per EN 13141-8:2011).

The energy-efficient EC fan changes the running direction every 70 seconds to alternate between air supply and air exhaust. Low energy consumption and extremely low operating noise make this heat recovery unit a recommended solution for non-stop operation. The heat recovery unit has three speed levels to choose from, depending on the size of the area and indoor demands.

HRU-WALL-100-25 provides a sufficient air change level in areas up to 19m².

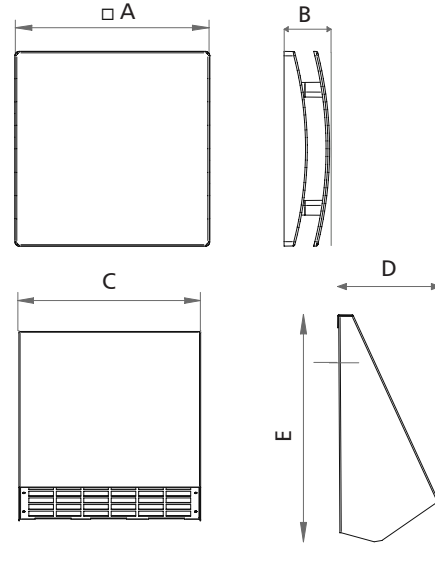
HRU-WALL-150-60 provides a sufficient air change level in areas up to 45m².

Product code example

Product code: **HRU-WALL - 100 - 25**

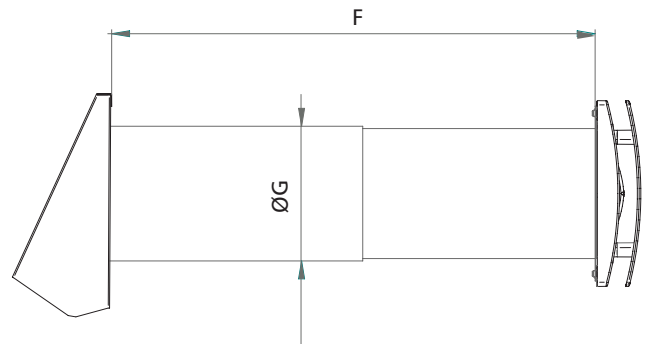
type _____
 diameter _____
 capacity _____

Dimensions



Fascia

Type	A [mm]	B [mm]	C [mm]	D [mm]	E [mm]
HRU-WALL-100-25	164	46	205	103	209
HRU-WALL-150-60	218	51	252	114	262



Type	F (mm)	G (mm)
HRU-WALL-100-25	270÷510	108
HRU-WALL-150-60	300÷560	158

Single-room decentralised heat recovery unit

HRU-WALL

Intended use

A system of single-duct decentralized heat recovery units offers the most efficient performance when two identical units are operated in two areas located near one another and connected to a single, common speed controller — HRU-WALL-CONTR-I (or any three-position control switch).

This installation configuration allows synchronizing the alternating air flow direction of both units to have one extract air while the other supplies air. An external sensor (which senses relative air humidity or CO₂ level) can be connected in parallel to control the heat recovery system (to increase fan speed if required).

A system of two HRU-WALL-150 units can supply up to 120 m³ of fresh air an hour. This rate provides a comfortable and proper air exchange for 4 people.

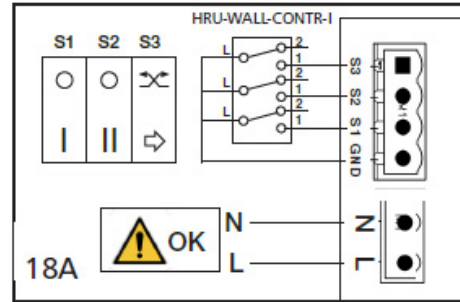
Example temperature values for the 2nd air supply speed

Indoor temp. (°C)	Outdoor temp. (°C)	Air supply temp. (°C)*	
		HRU-WALL-150	HRU-WALL-100
20	0	17.4	16.4
20	-10	16.1	14.6
20	-20	14.8	12.8

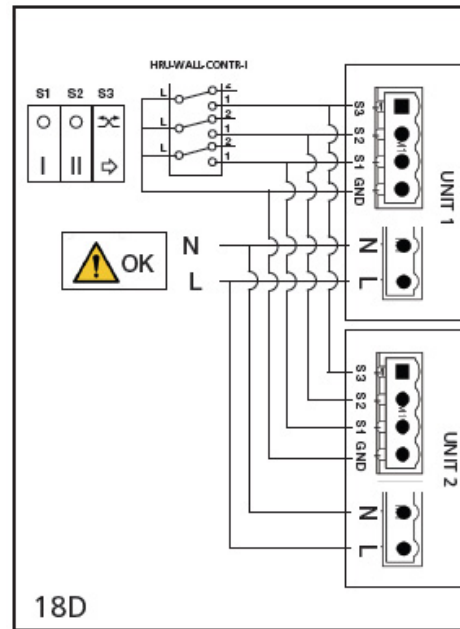
* Supply air temperature measured at the 2nd air supply speed

Controller wiring connection diagram

Connection of the HRU-WALL-CONTR-I controller



Connection of 2 HRU-WALL units with a single HRU-WALL-CONTR-I controller



Technical specifications

Type	Air flow rate (m ³ /h)	Power (W)	Sound pressure (dB(A)) 3 m	Ambient temp. (°C)	Weight (kg)
HRU-WALL-100-25	10/18/25	1,2/1,7/2,6	10/15/29	-20° +50°	2.4
HRU-WALL-150-60	20/40/60	1,4/2,3/3,8	10/18/26	-20° +50°	4.3

Air efficiency measured as per ISO 5801.

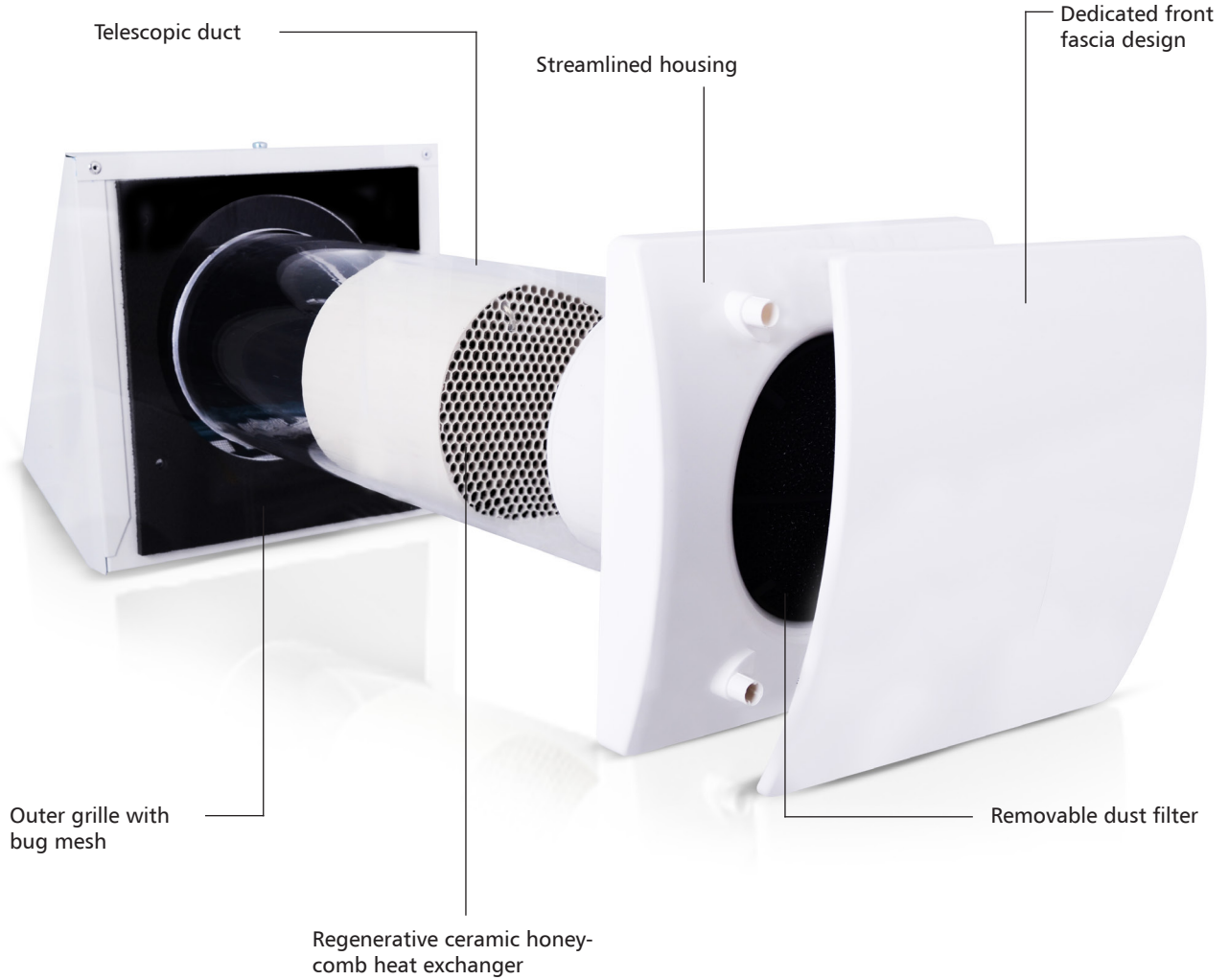
Heat recovery efficiency as per EN 13141-8.

Sound level measured as per ISO 3746.

Single-room decentralized heat recovery unit

HRU-WALL

Design of the single-room heat recovery unit



Single-room decentralized heat recovery unit

HRU-WALL

Energy class

Model	Sound level (dB)	Air flow rate (m ³ /h)	Energy class
HRU-WALL-100-25	26	10/18/25	A
HRU-WALL-150-60	29	20/40/60	A

The image shows a blue-bordered ENERGY label for the HRU-WALL-150-60 model. At the top left is the European Union flag. To its right, the word "ENERG" is written in large white letters on a blue background, with "енергия · ενεργεια" below it. Further right are four circular icons containing the letters Y, IJA, IE, and IA. Below the flag is the "Nalnor" logo with "systemy wentylacji" underneath. To the right of the logo is the model name "HRU-WALL-150-60".

In the center, there is a vertical scale of energy classes from A+ (green) to G (red). A black arrow points to the class "A".

At the bottom left, a box contains "38 dB" with a speaker icon. At the bottom right, a box contains "60 m³/h" with two blue arrows pointing up and down.

At the very bottom, it says "ENERGIA · ЕНЕРГИЯ · ΕΝΕΡΓΕΙΑ · ENERGIJA · ENERGY · ENERGIE · ENERGI 2016" and "1254/2014".